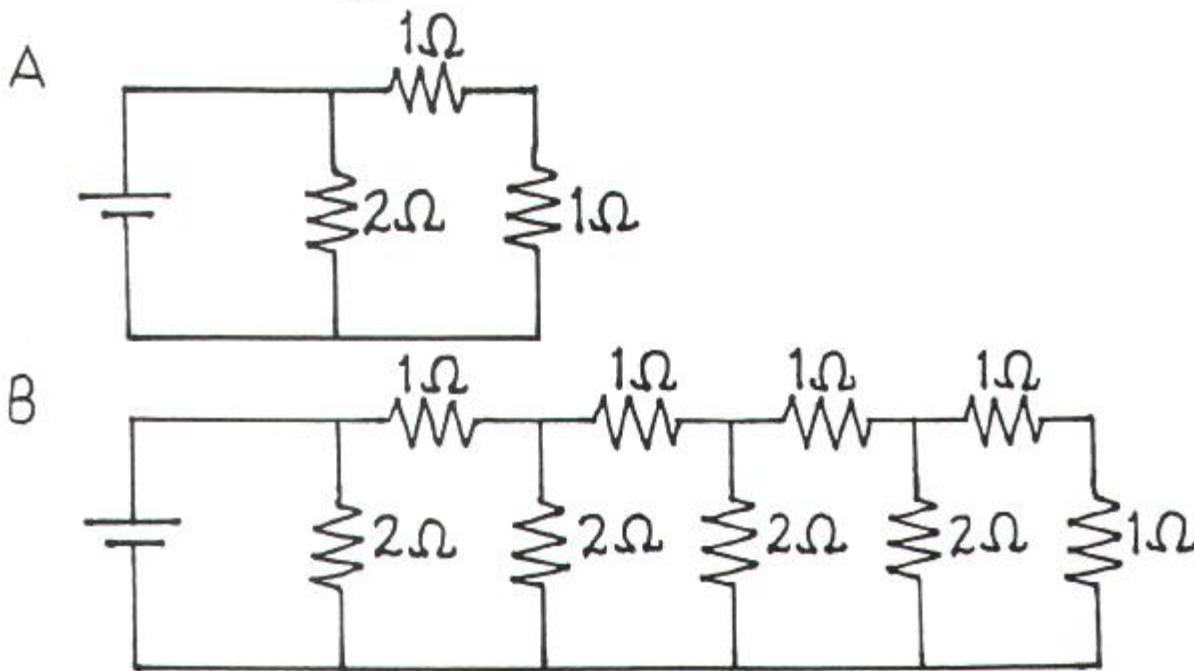


Next-Time Question!

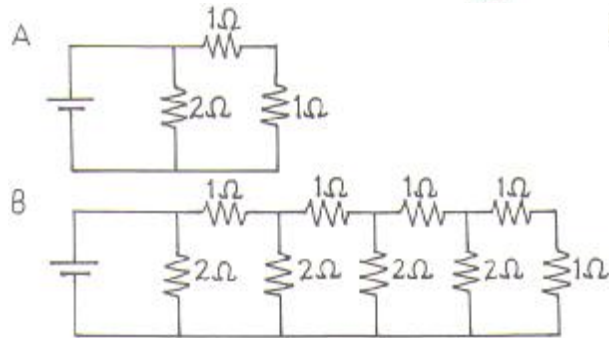
CONCEPTUAL Physics



Which of these circuits draws the most current?

- a) Circuit A.
- b) Circuit B.
- c) Both the same.

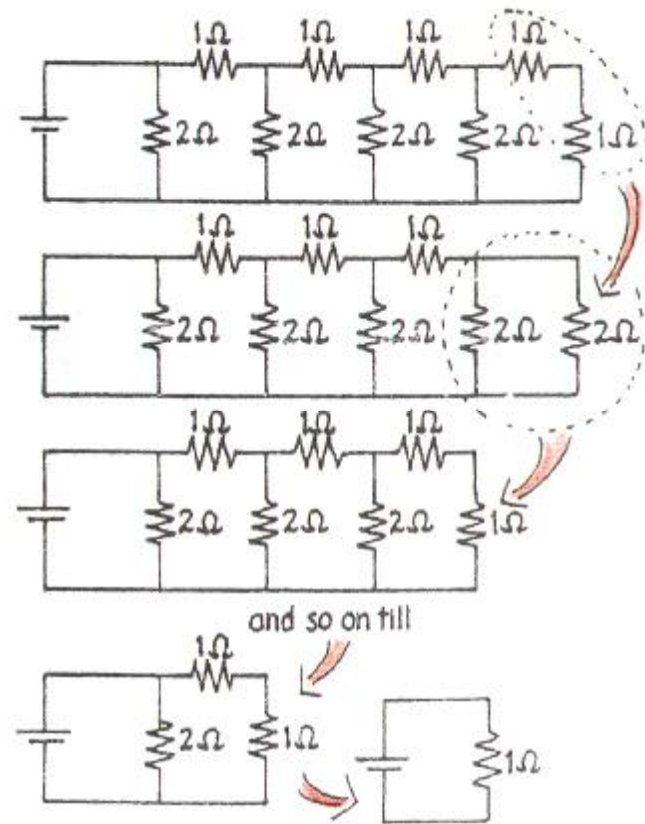
Next-Time Question



Which of these circuits draws the most current?

- a) Circuit A.
- b) Circuit B.
- c) Both the same.

Answer: c, both the same
 This is one of those "tricky" circuits wherein the equivalent resistance for both is the same. In fact, if you continue the sequence of a pair of 1- Ω pair resistors in series connected in parallel to a 2- Ω resistor at the right end of the circuit, the equivalent resistance will still be 1 Ω .



Hewitt
 Hewitt!